

September 12, 2017

Dear Sir:

Attached is Addendum No. 1 dated September 12, 2017 to the Specifications for The Manitoba Water Services Board Contract No. M.W.S.B. 1393, Municipality of Glenella-Lansdowne Water Treatment Plant Upgrades. Please verify receipt of this Addendum for our records by fax to (204) 726-6290.



**ACKNOWLEDGEMENT OF RECEIPT OF ALL ADDENDUMS
MUST BE INCLUDED IN THE TENDER SUBMISSION.**

Failure to include acknowledgement shall cause the tender to be rejected. If Tender is submitted before Addendum is issued, the Board will accept a faxed acknowledgement prior to the tender closing.

Yours truly,

R. Lytle
Construction Manager

The Manitoba Water Services Board
Unit #1A - 2010 Currie Blvd.
Brandon, MB R7B 4E7

Dear Sir:

We have received Addendum No. 1 dated September 12, 2017 to the Specifications for The Manitoba Water Services Board Contract No. M.W.S.B. 1393, Municipality of Glenella-Lansdowne Water Treatment Plant Upgrades.

Yours truly,

Company

Per

THE MANITOBA WATER SERVICES BOARD

CONTRACT NO. M.W.S.B. 1393

**MUNICIPALITY OF GLENELLA-LANSDOWNE
WATER TREATMENT PLANT UPGRADES**

ADDENDUM NO. 1

To the tender documents for:

September 12, 2017

1) PRECEDENCE

This addendum forms an integral part of the specifications describing all aspects of the work and is to be read in conjunction therewith.

2) SCOPE

The purpose of this addendum is to amend the following sections of the Tender Documents:

1. Section 01001 Special Provisions, Clause 1.02 “DESCRIPTION OF WORKS” revise as follows:

Add point:

- **“Supply and install of new chemical dosing pump (oxidant).”**

2. Section 01001 SPECIAL PROVISIONS, add the following clauses:

2.27 CHEMICAL DOSING PUMP (oxidant)	Chemical dosing pump shall be programmable with auto-degassing head and calibration column. Chemical dosing pumps shall be Prominent Gamma/X or Grundfos DDA 7.5 or approved equal complete with PE chemical line to dosing point appropriately secured with foot valve. One (1) pump to be supplied capable of feeding a range of at least 0.2 – 2.1 L/hr c/w mounting stands, backpressure valves and injection valves.
2.28 COMBINATION AIR AND VACUUM VALVE	The combination air/vacuum valve shall be A.R.I. D-040-P-01 or approved equal c/w isolation valve and saddle. The valve will permit the discharge of air from the filtrate line and relieve the vacuum when draining to reservoir. The isolation valve on the air vacuum shall be a ball valve.

3. Section 01150 Measurement and Payment, revise the following Clauses:

1.01 MECHANICAL WORKS	<p>1. METHOD OF MEASUREMENT – No measurement will be made for mechanical works.</p> <p>2. BASIS OF PAYMENT – The supply and installation of mechanical works shall be paid for at the Contract Lump Sum Price for “Mechanical Works”. This price shall include the supply and installation of piping, fittings, gauges, water meters, chemical tubing (in conduit), sample taps, valves, saddles, mechanical works, pipe supports, stainless steel nuts, bolts drains, pressure filter c/w filter media, chemical dosing pump, backwash pump, discharge pump, hood and all items listed in Clause 1.03, and for those operations incidental to the work for which no price or provisions for payment are included in the Contract.</p>
--------------------------------------	--

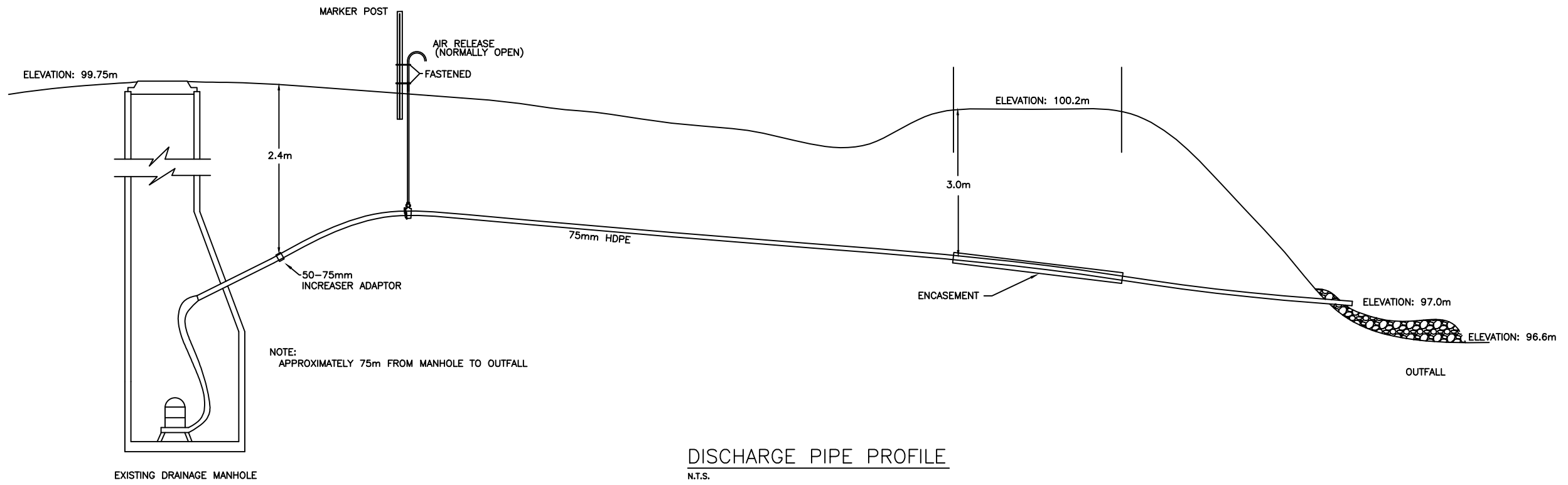
4. See attached revised drawings:

Page 2 of 4 – change in diameter of encasement pipe and removal of cross section detail

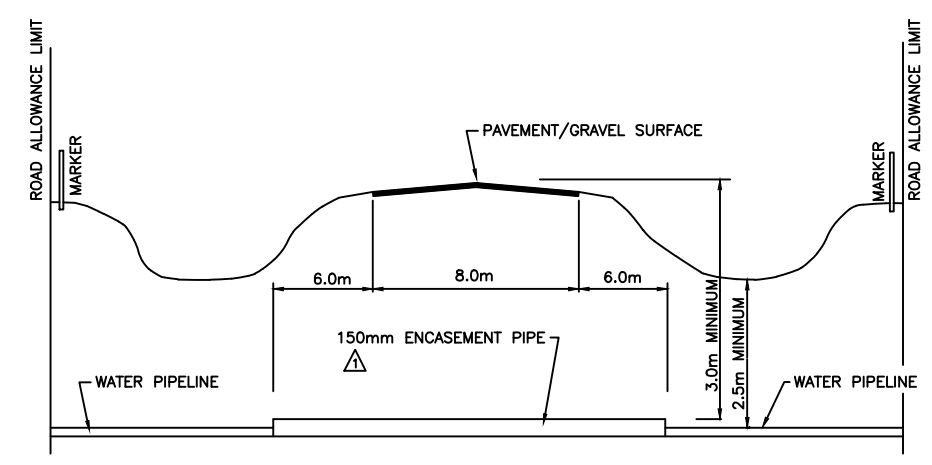
Page 3 of 4 - added pipe labels, chemical dosing pumps for oxidant and disinfection, by-pass, combination air release vacuum valve, clarification for port size and note

Page 4 of 4 – clarification on curb stop for air release valve

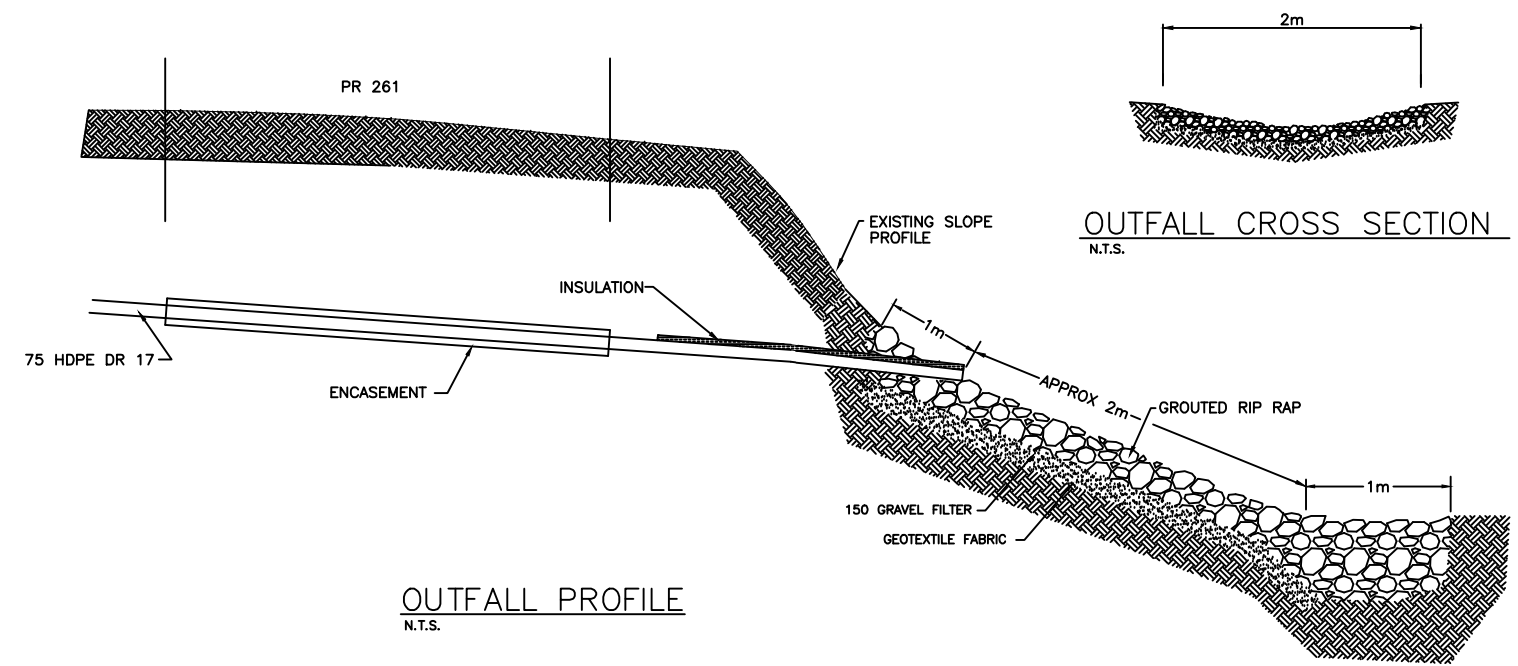
END OF ADDENDUM



DISCHARGE PIPE PROFILE
N.T.S.



TYPICAL PR CROSSING
N.T.S.



OUTFALL PROFILE
N.T.S.

OUTFALL CROSS SECTION
N.T.S.



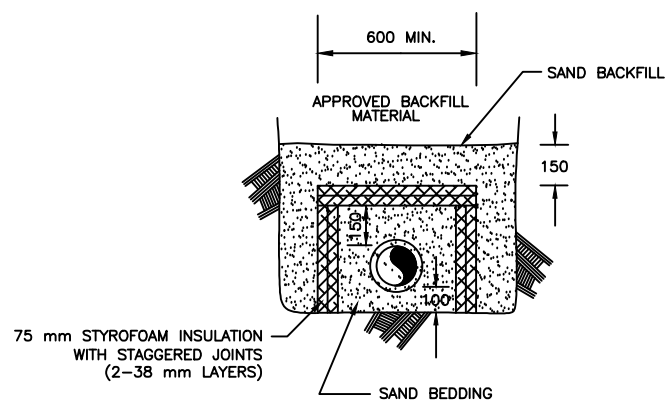
NO.	DESCRIPTION	BY	DATE
1	CHANGE OF DIMENSION & REMOVAL OF CROSS SECTION	NLL	17-09-12



SURVEYED	BOOK NUMBER	PROVINCE OF MANITOBA	
DRAWN	NLL	THE MANITOBA WATER SERVICES BOARD	
DESIGNED	D. GENAILLE	MUNICIPAL RELATIONS	
CHECKED	L. CIAPALA	SUBMITTED	APPROVED
REVIEWED		CHIEF ENGINEER	GENERAL MANAGER

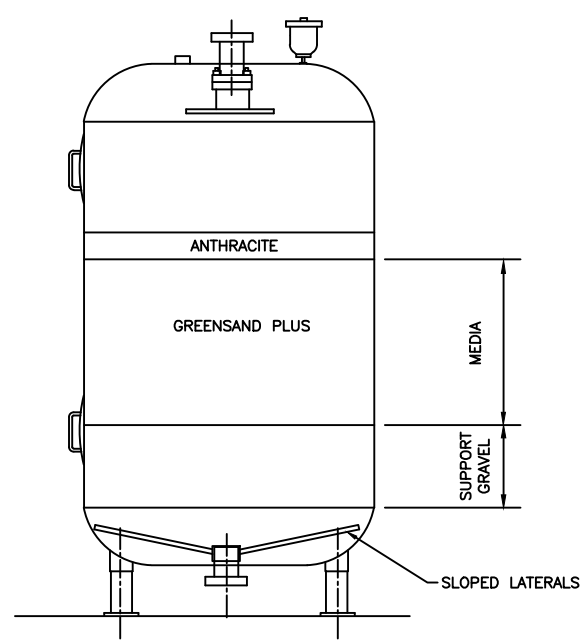
MUNICIPALITY OF GLENELLA-LANSDOWNE WTP UPGRADES			
DISCHARGE PIPE PROFILE & DETAILS			
SCALE	DATE	PROJECT NUMBER	REVISION
NTS	17-07-25	1393	2 of 4

ISSUED FOR TENDER

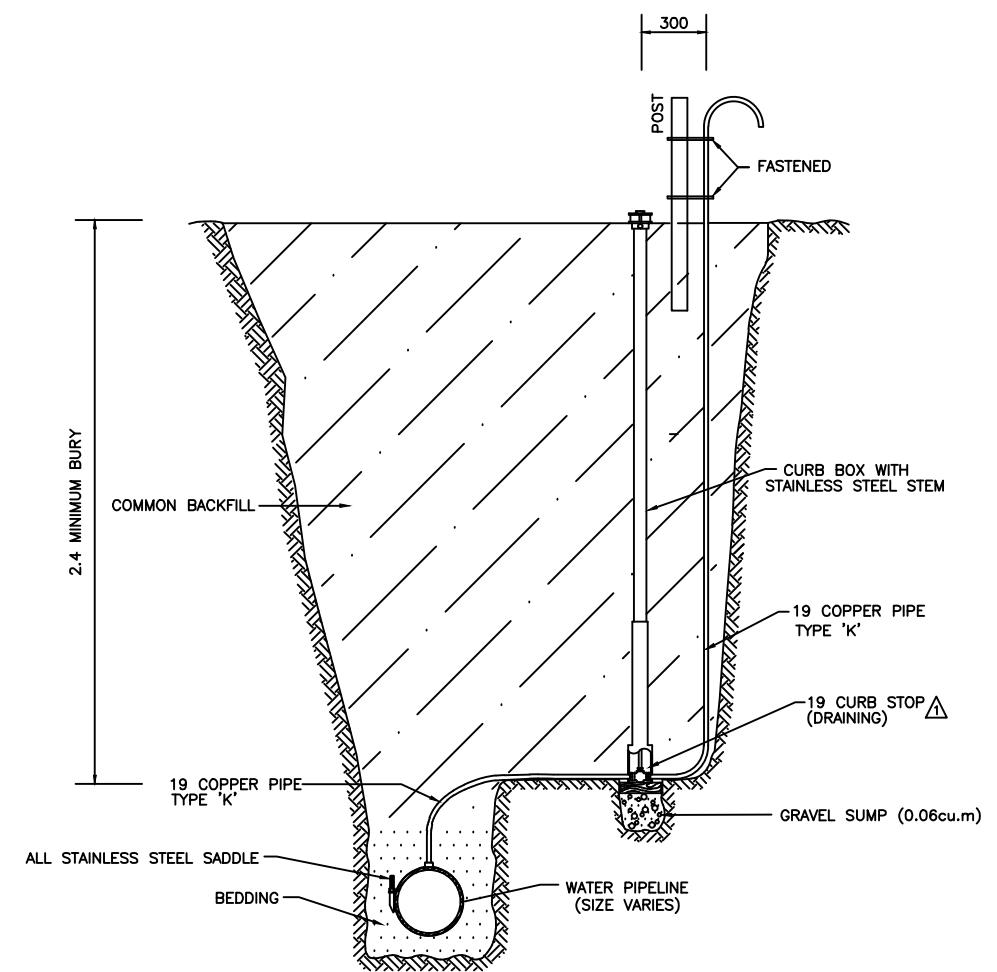


- NOTE
1. INSULATION SHALL BE USED FOR WATERMAINS, SEWERMAINS AND SERVICE CONNECTIONS WHERE SPECIFIED
 2. ALL INSULATION SHALL BE STYROFOAM "SM" HI-40 FOR INGROUND APPLICATION
 3. TEES OR Y-BRANCHES FOR SERVICE CONNECTIONS SHALL BE CUT TO FIT AND ADDITIONAL INSULATION SHALL BE PROVIDED TO COMPLETELY ENCLOSE THE CONNECTION
 4. SAND BACKFILL SHALL BE CAREFULLY APPLIED BY HAND TO A DEPTH OF 150 mm OVER INSULATION. REMAINING TRENCH BACKFILL SHALL BE SUITABLE EXCAVATED MATERIAL

PIPE INSULATION DETAIL
N.T.S.

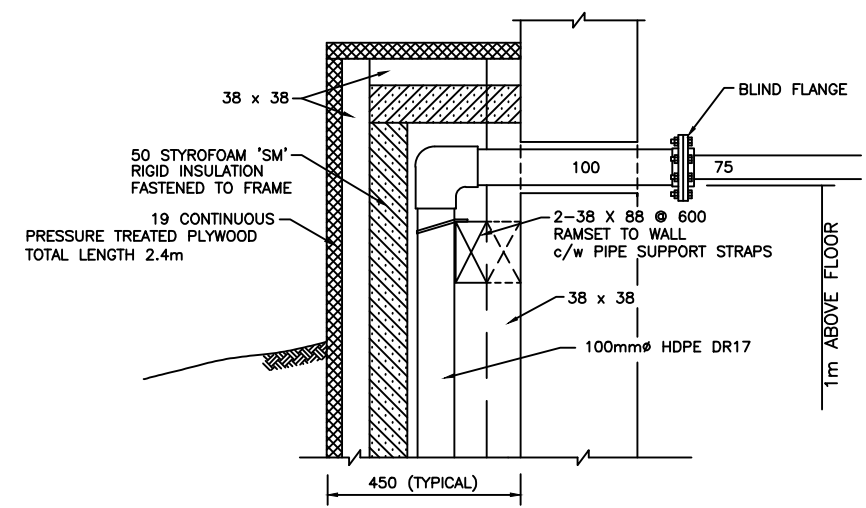


GREENSAND PLUS FILTER FILTER DETAIL
N.T.S.

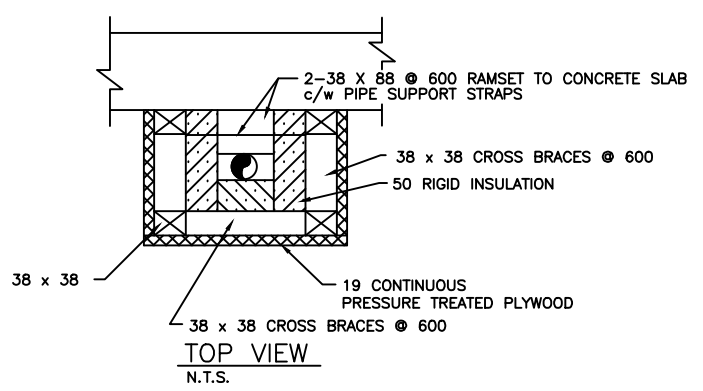


AIR RELEASE VALVE
N.T.S.

- NOTE:
1. AIR RELEASE VALVES SHALL BE LOCATED AS DIRECTED BY THE ENGINEER AT THE SITE.



FROST BOX
N.T.S.



TOP VIEW
N.T.S.

NO.	DESCRIPTION	BY	DATE
1	CLARIFICATION	NLL	17-09-12



SURVEYED	BOOK NUMBER	PROVINCE OF MANITOBA	
DRAWN	NLL	THE MANITOBA WATER SERVICES BOARD	
DESIGNED	D. GENAILLE	MUNICIPAL RELATIONS	
CHECKED	L. CIAPALA	SUBMITTED	APPROVED
REVIEWED		DATE	DATE

MUNICIPALITY OF GLENELLA-LANSDOWNE WTP UPGRADES				
DETAILS				
SCALE	DATE	PROJECT NUMBER	REVISION	SHEET
N.T.S.	17-07-24	1393	4	4

ISSUED FOR TENDER