

September 19, 2017

Dear Sir:

Attached is Addendum No. 1 dated September 19, 2017 to the Specifications for The Manitoba Water Services Board Contract No. M.W.S.B. 1399, Prairie View Municipality, Town of Birtle, Contract 2: Well Mechanization. Please verify receipt of this Addendum for our records by fax to (204) 726-6290.

**\*  
ACKNOWLEDGEMENT OF RECEIPT OF ALL ADDENDUMS  
MUST BE INCLUDED IN THE TENDER SUBMISSION.**

Failure to include acknowledgement shall cause the tender to be rejected. If Tender is submitted before Addendum is issued, the Board will accept a faxed acknowledgement prior to the tender closing.

Yours truly,

R. Lytle  
Construction Manager

---

The Manitoba Water Services Board  
Unit #1A - 2010 Currie Blvd.  
Brandon, MB R7B 4E7

Dear Sir:

We have received Addendum No. 1 dated September 19, 2017 to the Specifications for The Manitoba Water Services Board Contract No. M.W.S.B. 1399, Prairie View Municipality, Town of Birtle, Contract 2: Well Mechanization.

Yours truly,

---

Company

---

Per

**THE MANITOBA WATER SERVICES BOARD**

**CONTRACT NO. M.W.S.B. 1398**

**PRAIRIE VIEW MUNICIPALITY  
TOWN OF BIRTLE**

**CONTRACT 1: RAW WATER PIPELINE**

**ADDENDUM NO. 1**

To the tender documents for the Prairie View Municipality, Town of Birtle, Contract 2: Well Mechanization

September 19, 2017

PRECEDENCE

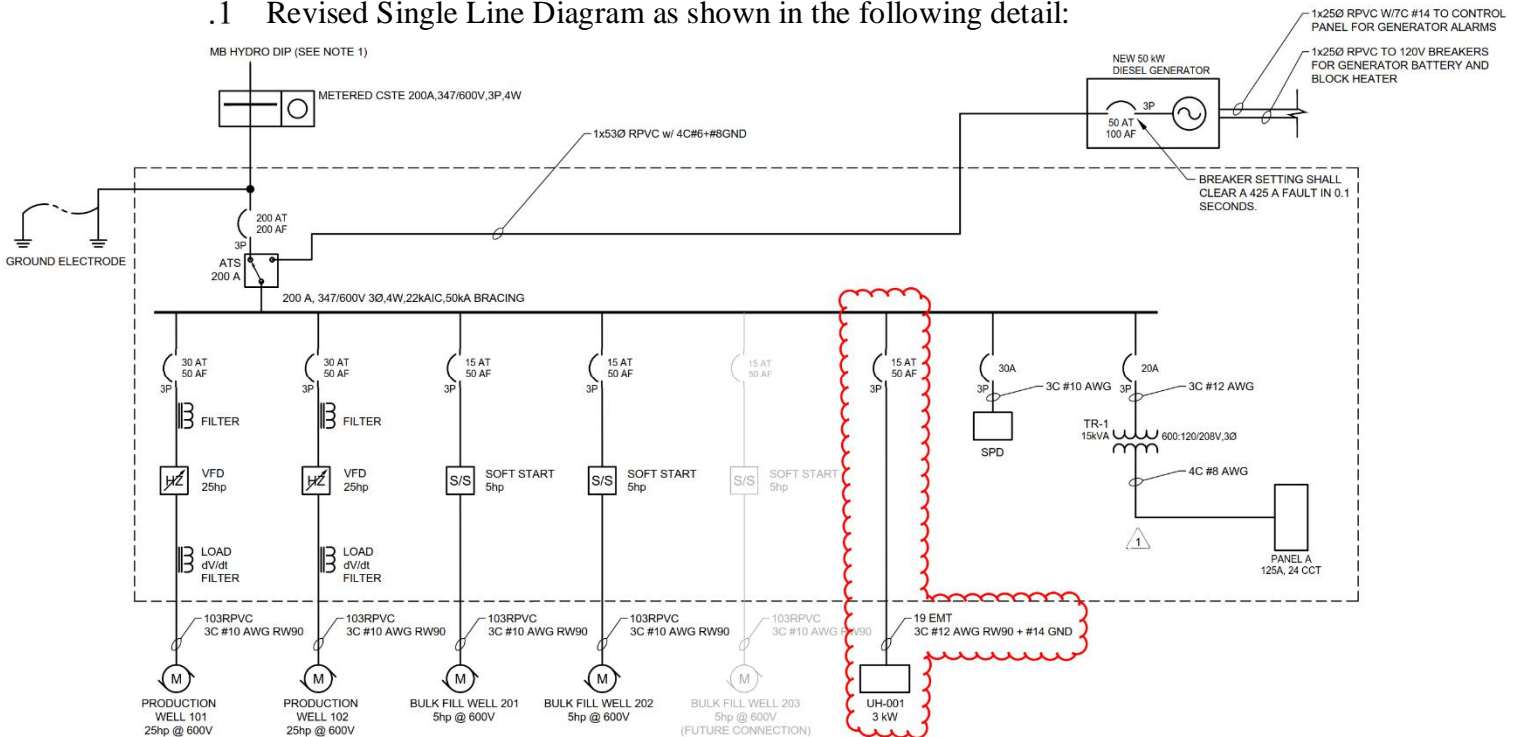
This addendum forms an integral part of the specifications describing all aspects of the work and is to be read in conjunction therewith.

SCOPE

The purpose of this addendum is to amend the following sections of the Tender Documents:

**1.1 DRAWING 4977-01-E-102**

.1 Revised Single Line Diagram as shown in the following detail:



**END OF ADDENDUM #1**