

June 13, 2018

Dear Sir:

Attached is Addendum No. 2 dated June 13, 2018 to the Specifications for The Manitoba Water Services Board Contract No. M.W.S.B. 1419, Prairie View Municipality, Birtle Water Supply System, Birtle WTP and Associated Works. Please verify receipt of this Addendum for our records by fax to (204) 726-6290.

ACKNOWLEDGEMENT OF RECEIPT OF ALL ADDENDUMS
MUST BE INCLUDED IN THE TENDER SUBMISSION.**

Failure to include acknowledgement shall cause the tender to be rejected. If Tender is submitted before Addendum is issued, the Board will accept a faxed acknowledgement prior to the tender closing.

Yours truly,

R. Lytle
Construction Manager

The Manitoba Water Services Board
Unit #1A - 2010 Currie Blvd.
Brandon, MB R7B 4E7

Dear Sir:

We have received Addendum No. 2 dated June 13, 2018 to the Specifications for The Manitoba Water Services Board Contract No. M.W.S.B. 1419, Prairie View Municipality, Birtle Water Supply System, Birtle WTP and Associated Works.

Yours truly,

Company

Per

THE MANITOBA WATER SERVICES BOARD

CONTRACT NO. M.W.S.B. 1419

**PRAIRIE VIEW MUNICIPALITY
BIRTLE WATER SUPPLY SYSTEM**

BIRTLE WTP AND ASSOCIATED WORKS

ADDENDUM NO. 2

To the tender documents for the Prairie View Municipality, Birtle Water Supply System, Birtle WTP and Associated Works

June 13, 2018

PRECEDENCE

This addendum forms an integral part of the specifications describing all aspects of the work and is to be read in conjunction therewith.

SCOPE

The purpose of this addendum is to amend the following sections of the Tender Documents:

1.1 DRAWING 4977-03-C-502

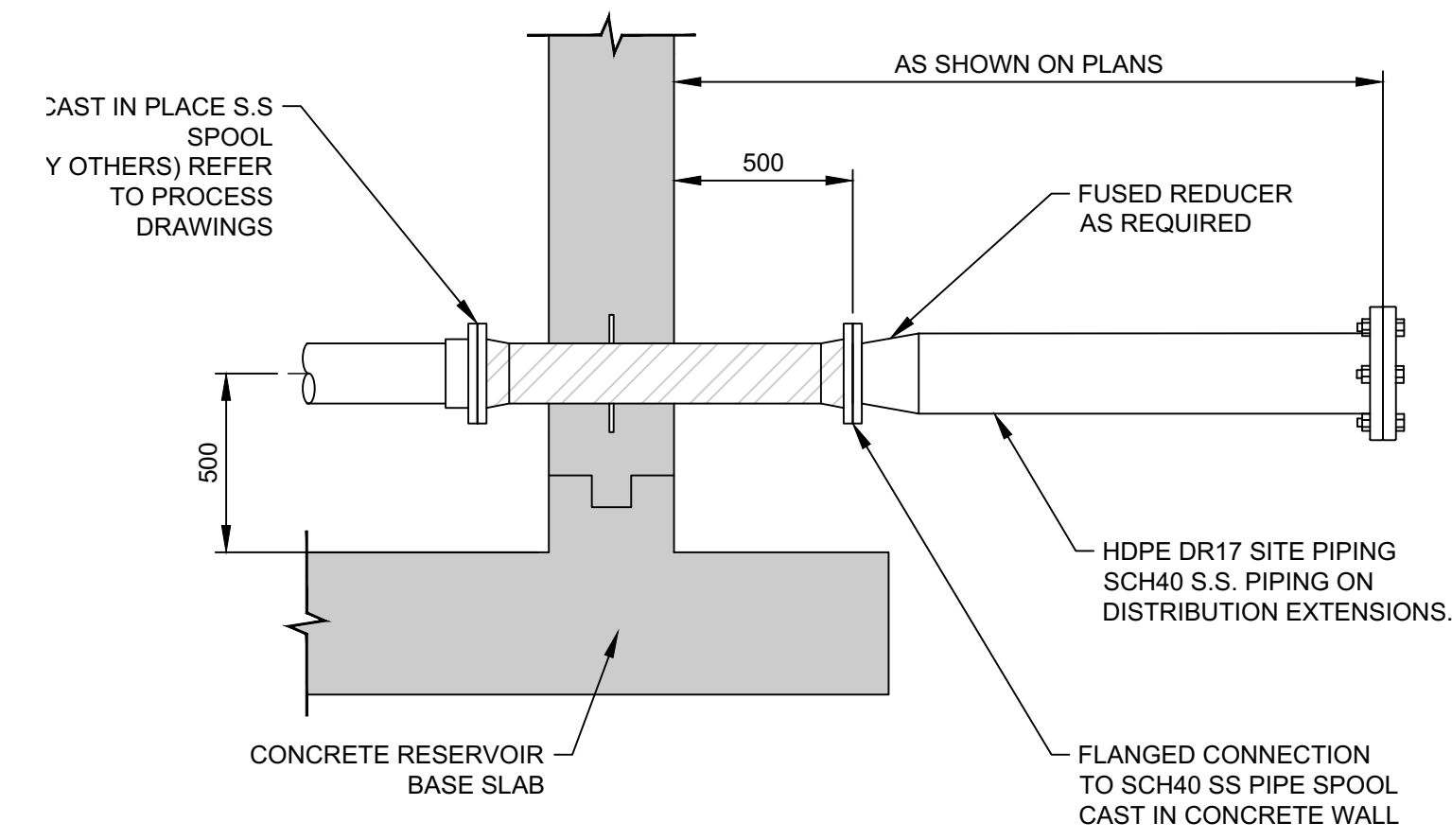
- .1 Replace the corrupt drawing included in the part 1 drawing set with the attached, dated June 5, 2018.

END OF ADDENDUM #2

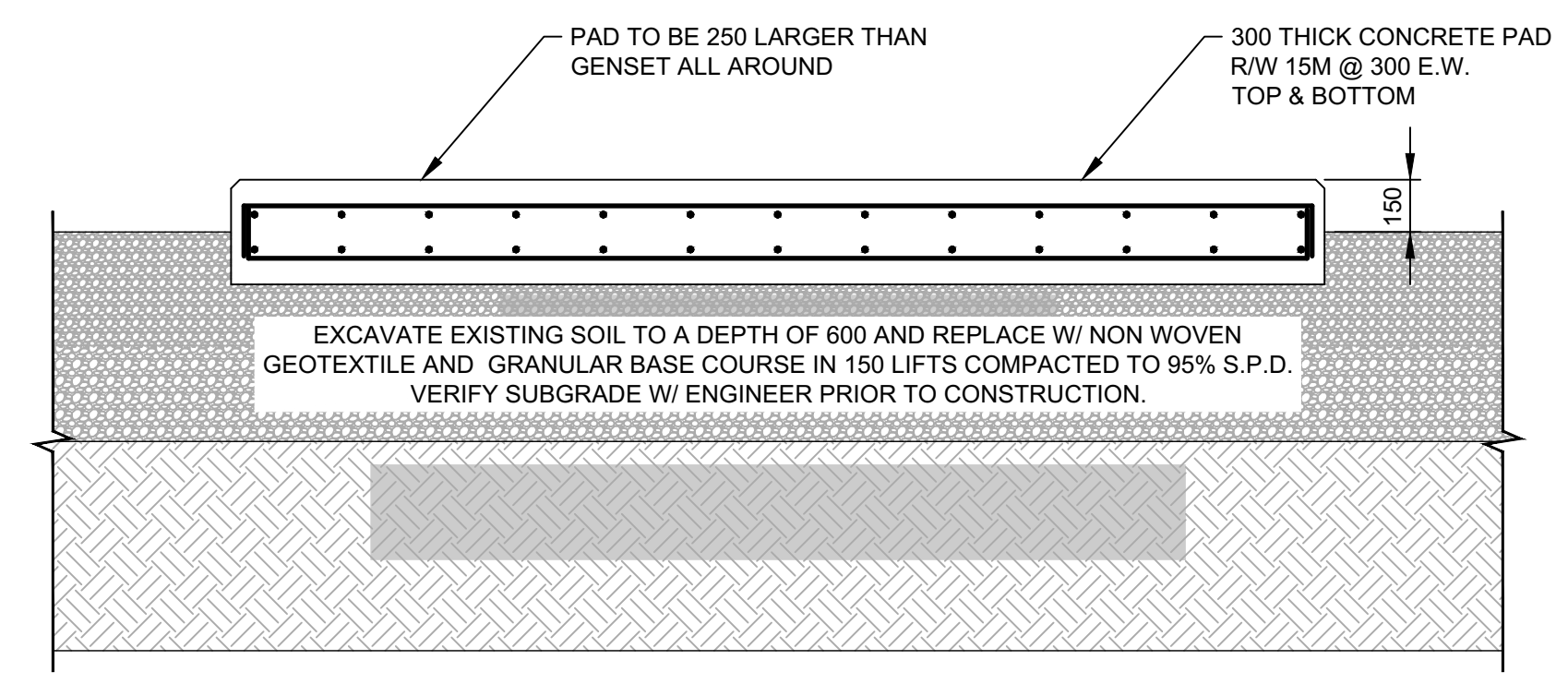
\\s-wg9-fs-01\projects\20174977\00_MWSE_Birtle\Working_Dwg\100_Civil\cd_wfp4977-03-c-502.dwg
 DATE: 2018-06-04, Tyler Dychko

SCALES SHOWN ARE INTENDED FOR ANSI D (22x34) SIZE DRAWINGS. TABLE D (11x17) SIZE DRAWINGS ARE 1/2 OF SCALES. SHOWN UNLESS NOTED OTHERWISE.

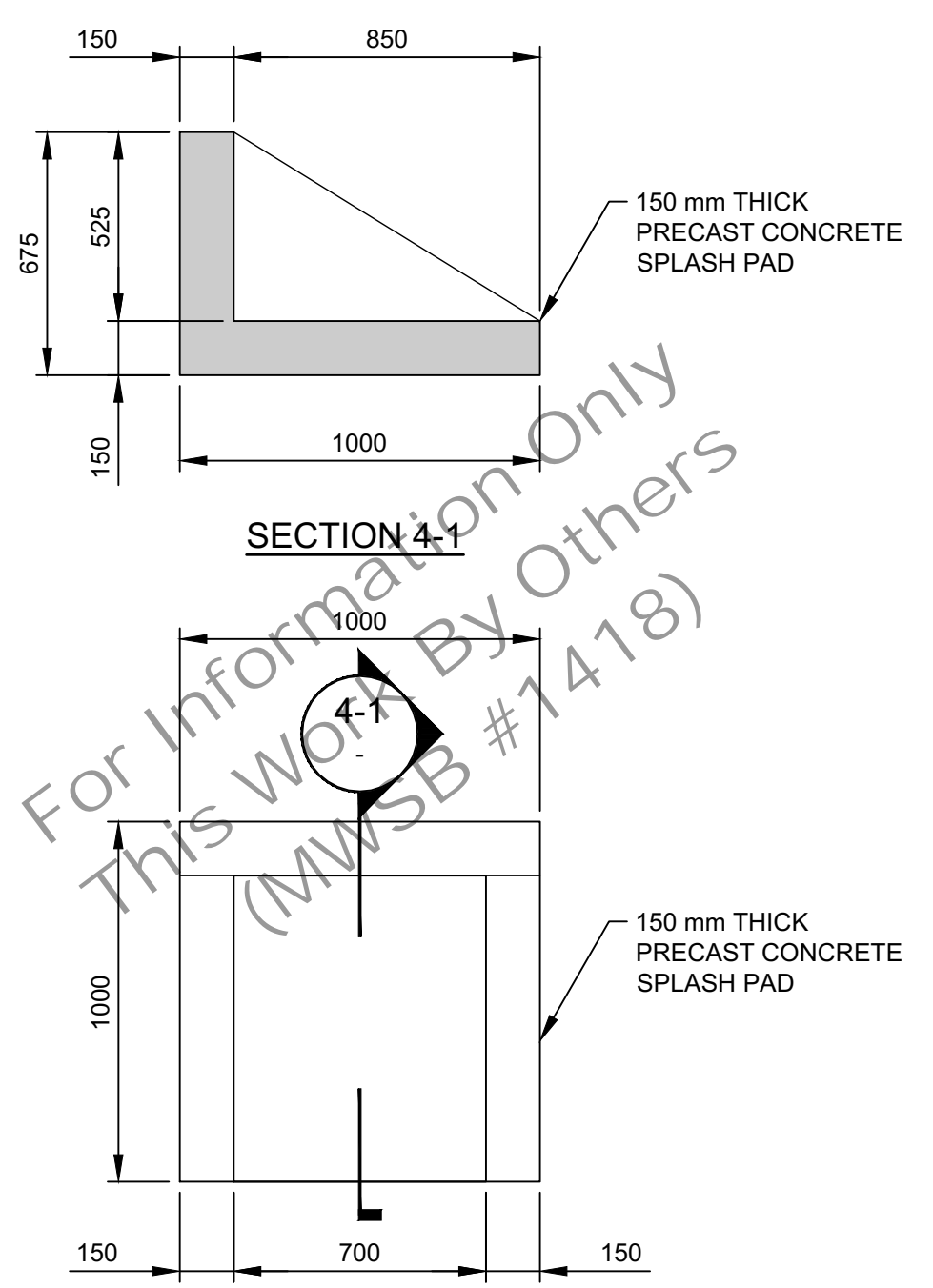
IF NOT 50 mm ADJUST SCALES
 50 mm



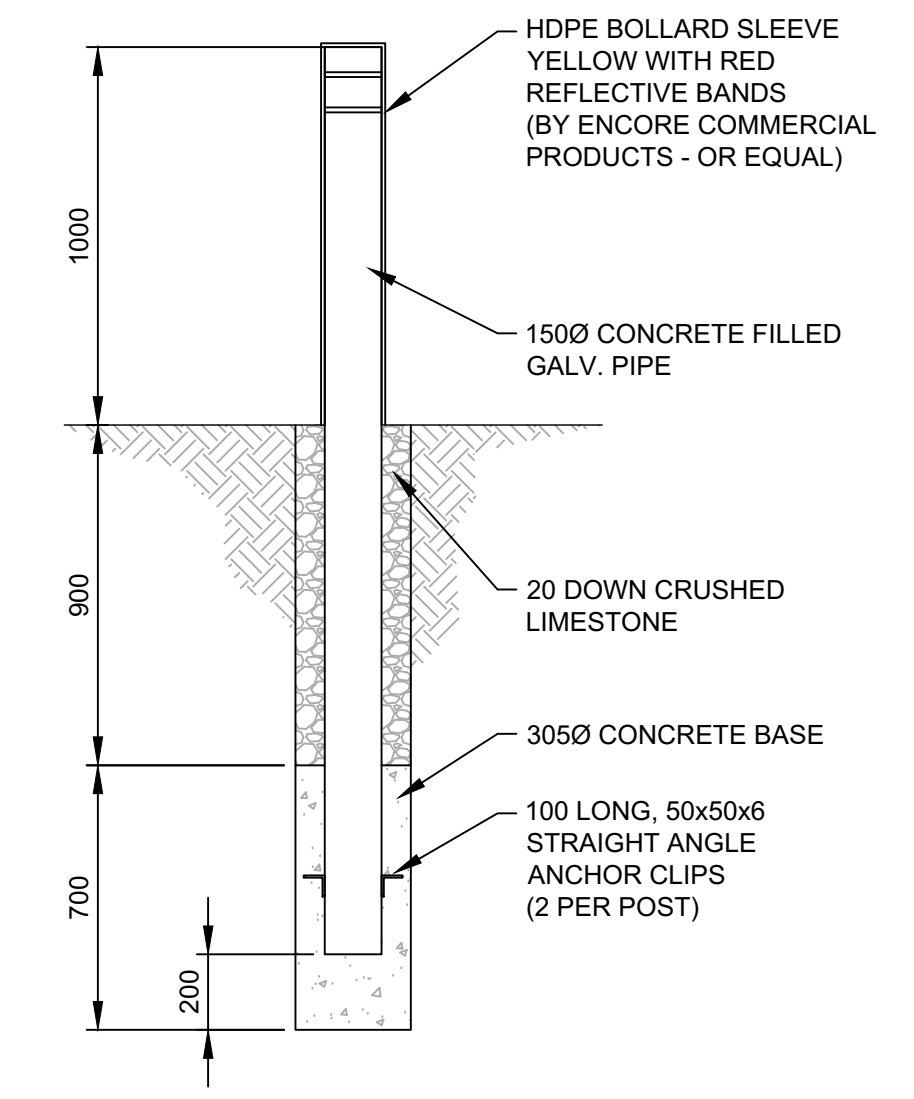
1 TYPICAL SECTION 1:20
 EXTERIOR PIPE CONNECTION



4 TYPICAL DETAIL 1:20
 GENSET PAD



4 TYPICAL DETAIL 1:20
 RESERVOIR OVERFLOW SPLASH PAD



5 TYPICAL DETAIL 1:20
 BOLLARD



REV	DATE	DESIGN	DRAWN	DESCRIPTION
0	2018JUN05	K. ANDERSON	T. DYCHKO	ISSUED FOR TENDER



PRAIRIE VIEW MUNICIPALITY
 BIRTLE WATER SUPPLY SYSTEM

BIRTLE WTP & ASSOC. WORKS
 M.W.S.B. # 1419
 20174977-03

SCALE: AS SHOWN

CIVIL
DETAILS

DRAWING	REVISION	SHEET
4977-03-C-502	0	9 / 83