

August 1, 2018

Dear Sir:

Attached is Addendum No. 2 dated August 1, 2018 to the Specifications for The Manitoba Water Services Board Contract No. M.W.S.B. 1434, Grand Beach Provincial Park Lagoon. Please verify receipt of this Addendum for our records by fax to (204) 726-6290.

**\*  
ACKNOWLEDGEMENT OF RECEIPT OF ALL ADDENDUMS  
MUST BE INCLUDED IN THE TENDER SUBMISSION.**

Failure to include acknowledgement shall cause the tender to be rejected. If Tender is submitted before Addendum is issued, the Board will accept a faxed acknowledgement prior to the tender closing.

Yours truly,

R. Lytle  
Construction Manager

---

The Manitoba Water Services Board  
Unit #1A - 2010 Currie Blvd.  
Brandon, MB R7B 4E7

Dear Sir:

We have received Addendum No. 2 dated August 1, 2108 to the Specifications for The Manitoba Water Services Board Contract No. M.W.S.B. 1434, Grand Beach Provincial Park Lagoon.

Yours truly,

---

Company

---

Per

**THE MANITOBA WATER SERVICES BOARD**

**CONTRACT NO. M.W.S.B. 1434**

**Grand Beach Provincial Park Lagoon**

**ADDENDUM NO. 2**

Date: August 1, 2018

1) PRECEDENCE

This Addendum is issued prior to Tender closing to provide for certain revisions as noted herein.

This addendum forms an integral part of the specifications describing all aspects of the work and is to be read in conjunction therewith.

All work shall be performed in accordance with the Contract Documents.

2) SCOPE

The purpose of this addendum is to amend the following sections of the Tender Documents:

**1. Front End**

1.1 **Replace** MWSB Form 3B Schedule of Prices with attached MWSB Form 3B (Revision 2), amending Estimated Total Quantity for item C.29.

**2. Drawings**

2.1 **Add** the attached Detail 1 as the detail referenced for Typical Anchor Bolt in Detail 4 of Drawing C-4002.

END OF ADDENDUM

**SCHEDULE OF PRICES (ADDENDUM NO. 2)**
**PROJECT NO. MWSB 1434**

Item	Description	Unit of Measurement	Estimated Total Quantity	Unit Price	Total
<b>A</b>	<b>Sewage Forcemain</b>				
A.1	Forcemain in trench w/ Common Backfill				
	a) 250 mm	lin.m.	50		
A.2	Forcemain trenchless installation				
	a) 100 mm	lin.m.	370		
A.3	Box Insulation	lin.m.	4		
A.4	Gate Valve				
	a) 100 mm	each	2		
	b) 250 mm	each	1		
A.5	Forcemain Plug				
	a) 250 mm	each	1		
A.6	Connection to Existing Forcemain at Lift Station				
	a) 100 mm	each	1		
<b>B</b>	<b>Roads</b>				
B.1	Scarify and Compact Subgrade	sq. m.	1,345		
B.2	Granular A-Base	cu. m.	200		
B.3	50 mm Crushed Limestone	cu. m.	400		
B.4	Supply & Install Stop Sign (MUTCD type R1-1 750 mm X 750 mm)	each	1		
B.5	Supply & Install Geotextile, Roads (Woven)	sq. m.	1,350		
B.6	Culverts				
	a) 450 mm 1.6 m Wall Thickness	lin. m.	50		
<b>C</b>	<b>Lagoon and Related Works</b>				
C.1	Clearing and Grubbing	ha	11		

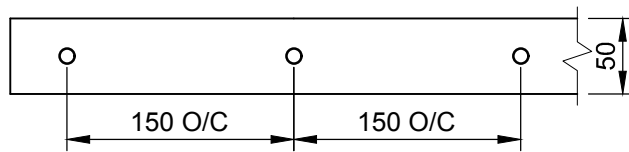
<b>Item</b>	<b>Description</b>	<b>Unit of Measurement</b>	<b>Estimated Total Quantity</b>	<b>Unit Price</b>	<b>Total</b>
C.2	Salvage of Wood	cord	80		
C.3	Stripping and Stockpiling Topsoil	cu. m.	34,000		
C.4	Excavation	cu. m.	49,500		
C.5	Sand Liner Bedding				
	a) Below Liner (150 mm)	cu. m.	10,550		
	b) Above Liner (300 mm)	cu. m.	14,995		
C.6	Geotextile (Lagoon)	sq. m.	22,000		
C.7	Geomembrane Liner (60 mil HDPE)	sq. m.	71,400		
C.8	Granular Anchor Material	cu. m.	1,600		
C.9	Wire Fence	lin. m.	1,870		
C.10	Fence Gate	each	3		
C.11	Security Access Mechanism (Abloy Lock System) Software and One-year Software License (Optional)	lump sum	1		
C.12	Security Access Mechanism (Abloy Lock System) Hardware (Optional)	lump sum	1		
C.13	Seeding	ha	6		
C.14	Rip Rap Lagoon Embankments	sq. m.	20,000		
C.15	Inlet/Outlet Reinforced Concrete Pad				
	a) 2.5 m x 3.0 m	each	7		
	b) 2.5 m x 5.5 m	each	1		
	c) 3.0 m x 3.5 m	each	2		
C.16	Interconnection Manhole	lump sum	1		
C.17	Interconnection Pipe				
	a) 300 mm	lin. m.	250		
C.18	Overflow and Outfall Piping				
	a) 300 mm	lin. m.	76		

Item	Description	Unit of Measurement	Estimated Total Quantity	Unit Price	Total
C.19	Lagoon Gate Valve				
	a) 300 mm	each	7		
	b) 300 mm with lockable lid	each	1		
C.20	Signage				
	a) Type 1	each	4		
	b) Type 2	each	12		
C.21	Filling of New Lagoon to 0.6 m Depth	lump sum	1		
C.22	Lagoon Degassing/Dewatering System	lump sum	1		
C.23	Bollard	each	4		
C.24	Truck Dump	lump sum	1		
C.25	Demolition and Disposal of Existing Truck Dump Pad and Spillway	lump sum	1		
C.26	Remove and Dispose Existing Interconnection Piping and Valves	lump sum	1		
C.27	Existing Ditch Cleaning and Regrading	lin. m.	158		
C.28	Temporary Silt Fence	lin. m.	1,050		
C.29	Disposal of Contaminated Common Excavation (Off-site)	cu. m.	1,200		
C.30	Asphalt Patches	tonne	3		
C.31	Borrow Excavation and Placement	cu. m.	880		
C.32	Boulders Excavation				
	a) Rocks/Boulders	cu. m.	100		
<b>D</b>	<b>Desludging</b>				
D.1	Dredging and Pumping	lump sum	1		
	Extra Work Allowance				\$150,000

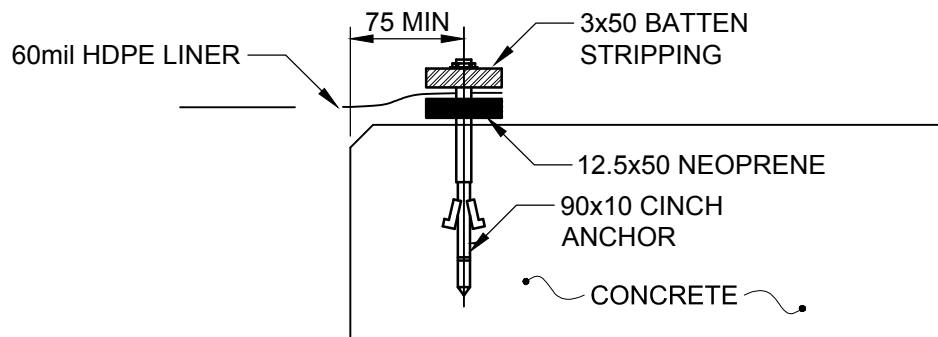
Item	Description	Unit of Measurement	Estimated Total Quantity	Unit Price	Total
		Subtotal			\$
	<b>*PST must be included in unit prices.</b>	Goods & Services Tax (5% of Subtotal)			\$
		<b>TOTAL TENDER PRICE</b>			\$

---

Name of Bidder



BATTEN STRIPPING



**1** | **DETAIL**  
TYPICAL ANCHOR BOLT